

Carefree Tour Guide Experience



Contents

MTG-100 Digital Portable Receivers	2
MTG-100 Digital Portable Transmitters	5
MTG-100 Other Digital Transmitters	7
MTG-100 Receiver Accessories	10
MTG-100 Transmitter Accessories	11
MTG-100 Storage and Charger Carry Cases	13



MTG-100 Digital Portable Receivers

Profile

1. MIPRO MTG-100 digital wireless tour guide systems are comprised of two powered models: lithium rechargeable battery & disposable AA battery systems. Lithium rechargeable battery system comprises MTG-100R receiver, MTG-100T transmitter and MTG-100C-4 chargers, MTG-100C-12 or MTG-100C-28 storage and charger carry case.
2. MTG-100 systems are ultra-compact, lightweight and easy to use. Digital design provides crystal-clear audio quality, secured and reliable transmission, and insensitive to interference attributes that are unmatched by the deficiency of simple analog design systems.
3. Built-in lithium polymer rechargeable battery is used to resolve the troubles of changing battery and save you a significant amount of money years to come.
4. Two AA alkaline batteries system is convenient for international tour groups especially without bring the storage and charger carry cases.
5. This system is ideal for small to large, indoor or outdoor applications for guides, interpreters or presenters to communicate effectively to a group of people, rejecting irritating surrounding noise.



MTG-100 Digital Portable Receivers

MTG-100R Digital Receiver (Rechargeable Battery)

Patents:

Taiwan Utility M393932
China Utility ZL201020281127.2
Germany Utility 202010012684.3



MTG-100Ra Digital Receiver (AA Battery)

Patents:

Taiwan Utility M393932
China Utility ZL201020281127.2
Germany Utility 202010012684.3



MTG-100 Digital Portable Receivers

Features

1. Operates on user license-free ISM bands: EU 863 – 865 MHz and USA 926 – 928 MHz.
2. Up to 60 m (196 ft) line-of-sight reception range.
3. Interference-free from Bluetooth, Wi-Fi and 2.4 GHz wireless transmission.
4. Digitally encrypted technology enables secure audio transmission, preventing unauthorized listening.
5. Digital technology ensures crystal-clear audio quality, giving listeners the best tour experience.
6. Industry's only true diversity technology for exceptional reception quality.
7. Durable, ultra-lightweight and pocket-sized portable receiver and transmitter. Incredibly easy to set-up and use.
8. Industry's only auto shut-off timer for reducing power consumption to extend the operating time.
9. Backlit LCD screen displays all relevant parameters.

Specifications

Model	MTG-100R	MTG-100Ra
Name	Digital Portable Receiver	Digital Portable Receiver
Housing	Ultra-compact; Pocket-sized	
Display	LCD with advanced function settings and battery status	
Frequency Range	CEPT/EU: 863 – 865 MHz & USA: 926 – 928 MHz License-free for users in ISM bands	
Modulation	Encrypted digital modulation	
Preset Channels	16 preset channels. At least 3 compatible channels can be used simultaneously at the same venue.	
Channel Setup	Manually or ACT Sync via charger carry case	
Receiving Mode	True diversity	
Main Features	Up to 60-meter line-of-sight reception range. Crystal-clear audio quality, channel lock setting and ethernet interface allow for system setting and management.	
System Component	MTG-100T, MTG-100Ha	MTG-100Ta, MTG-100Ha
Power Supply	Built-in lithium rechargeable battery	2 AA alkaline batteries
Dimensions (W × H × D)	45 × 84 × 21 mm / 1.8 × 3.3 × 0.8 "	45 × 84 × 28 mm / 1.8 × 3.3 × 1.1 "
Weight	Approx. 65 g / 2.3 oz, Li-poly battery included	Approx. 48 g / 1.7 oz, excluding AA batteries
Earphones	E-5S, E-10S, E-20S (optional)	
Accessories (Optional)	MTG-100C-28, MTG-100C-12 MTG-100C-4, MTG-100C-CR	N/A
Note	Refer to actual product in the event of product description discrepancy.	

MTG-100 Digital Portable Transmitters

MTG-100T Digital Transmitter (Rechargeable Battery)

Patents:

Taiwan Utility M393932
China Utility ZL201020281127.2
Germany Utility 202010012684.3



MTG-100Ta Digital Transmitter (AA Battery)

Patents:

Taiwan Utility M393932
China Utility ZL201020281127.2
Germany Utility 202010012684.3



MTG-100 Digital Portable Transmitters

Features

1. Operates on user license-free ISM bands: EU 863 – 865 MHz and USA 926 – 928 MHz.
2. Up to 60 m (196 ft) line-of-sight reception range.
3. Interference-free from Bluetooth, Wi-Fi and 2.4 GHz wireless transmission.
4. Digitally encrypted technology enables secure audio transmission, preventing unauthorized listening.
5. Digital technology ensures crystal-clear audio quality, giving listeners the best tour experience.
6. Industry's only true diversity technology for exceptional reception quality.
7. Durable, ultra-lightweight and pocket-sized portable receiver and transmitter. Incredibly easy to set-up and use.
8. Industry's only auto shut-off timer for reducing power consumption to extend the operating time.
9. Backlit LCD screen displays all relevant parameters.

Specifications

Model	MTG-100T	MTG-100Ta
Name	Digital Portable Transmitter	Digital Portable Transmitter
Housing	Ultra-compact; Pocket-sized	
Display	LCD with advanced function settings and battery status	
Frequency Range	CEPT/EU: 863 – 865 MHz & USA: 926 – 928 MHz License-free for users in ISM bands	
Modulation	Encrypted digital modulation	
Preset Channels	16 preset channels. At least 3 compatible channels can be used simultaneously at the same venue.	
Channel Setup	Manually or ACT Sync via charger carry case	
Main Features	Low, Mid, High switchable output power, battery saving	
System Component	MTG-100R	MTG-100Ra
Power Supply	Built-in lithium rechargeable battery	2 AA alkaline batteries
Dimensions (W x H x D)	45 x 84 x 21 mm / 1.8 x 3.3 x 0.8 "	45 x 84 x 28 mm / 1.8 x 3.3 x 1.1 "
Weight	Approx. 65 g / 2.3 oz, Li-poly battery included	Approx. 48 g / 1.7 oz, excluding AA batteries
Microphone	MM-10, MM-202P, MU-101P, MU-53HNP, MU-23P (optional)	
Accessories (Optional)	MTG-100C-28, MTG-100C-12 MTG-100C-4, MTG-100C-CR	N/A
Note	Refer to actual product in the event of product description discrepancy.	

MTG-100 Other Digital Transmitters

MTG-100Ha Handheld Transmitter

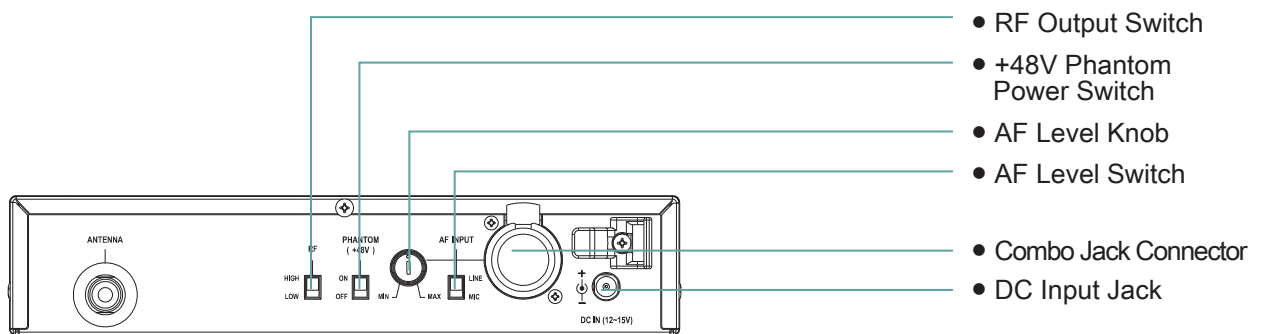


Features

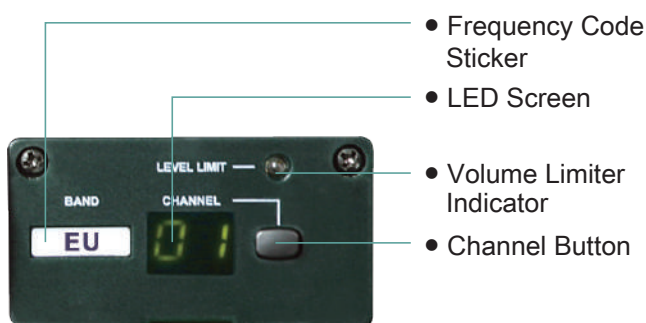
1. Innovatively designed metal housing in MIPRO's distinctive aesthetic and ergonomic style.
2. Turn upper housing for 2 AA battery installation and replacement.
3. The unique multi-layered metal grille protects the capsule against impact, rolling and pop noise, ensuring clarity of sound.
4. Proprietary capsule suspension design eliminates vibrations and touch noises for a true natural sound reproduction.
5. Interchangeable capsule module with premium condenser or dynamic options for easy and fast changeovers.
6. Backlit LCD displays all operational parameter information.
7. The bottom housing with built-in high-efficiency antenna features power switch, mute and setup buttons for channel, programmable gain and RF output power.
8. Patented end-cap covers with color-coded channel identification clips. Detach the end-cap cover for parameter set-up. Reversible end-cap allows shielding of power on/off or mute switches during performance.
9. Operates on user license-free ISM bands: EU 863 – 865 MHz and USA 926 – 928 MHz.
10. Up to 60 m (196 ft) line-of-sight reception range.
11. Interference-free from Bluetooth, Wi-Fi and 2.4 GHz wireless transmission.
12. Digitally encrypted technology enables secure audio transmission, preventing unauthorized listening.
13. Digital technology ensures crystal-clear audio quality, giving listeners the best tour experience.

MTG-100 Other Digital Transmitters

MTS-100 Digital Stationary Transmitter



Wireless Transmitter Module Controls and Indicators



Optional Accessories



MJ-53



MM-202



MU-210



MU-53L

Features

1. Modular design for easy set-up, operation and maintenance.
2. Preset with 16 selectable channels.
3. Bright LED channel display.
4. Direct output for low level or switch to wideband amplifier for high level output.
5. Selectable input audio signal level for optimal modulation index.
6. Audio input and RF output LED indicators.
7. 48 V phantom power for condenser microphones.

MTG-100 Other Digital Transmitters

Main Features & Specifications

Model	MTG-100Ha	MTS-100
Name	Digital Handheld Transmitter	Digital Stationary Transmitter
Housing	ABS	EIA-standard 1/2U metal case
Display	LCD with settings and battery status	Channel in LED
Frequency Range	CEPT/EU: 863 – 865 MHz & USA: 926 – 928 MHz License-free for users in ISM bands	
Modulation	Encrypted digital modulation	
Channel Setup	Manually	
Preset Channels	16 preset channels. At least 3 compatible channels can be used simultaneously at the same venue.	
System Component	MTG-100R & MTG-100Ra	
Main Features	Handheld microphone ensures vocal clarity	Stationary transmission; switchable low-power 10 mW or high-power 50 mW output power; Accepts either dynamic or condenser wired microphone
Power Supply	2 AA alkaline batteries	12 – 15 V DC
Dimensions	51 × 258 mm / 2 × 10.1 " (Ø × L)	210 × 44 × 206 mm / 8.3 × 1.7 × 8.1 " (W × H × D)
Weight	Approx. 250 g / 8.8 oz, excluding batteries	Approx. 1.1 kg / 2.4 lbs
Note	Refer to actual product in the event of product description discrepancy.	

MTG-100 Receiver Accessories

E-20S Stereo Headphones

E-10S Stereo Earphones

E-5S Stereo Earphone



E-20S



E-10S



E-5S

Specifications

Model	E-20S	E-10S	E-5S
Name	Stereo Headphones	Stereo Earphones	Single-side Earphone
Driver Unit	30 mm	10 mm	24 mm
Frequency Response	20 Hz – 20 kHz	20 Hz – 15 kHz	100 Hz – 20 kHz
Sensitivity	105 dB ± 3 dB at 1mW	103 dB ± 3 dB at 1mW	108 dB ± 3 dB at 1mW
Max. Input Power	100 mW	20 mW	100 mW
Impedance	24 Ω at 1 kHz 1mW	16 Ω at 1 kHz 1mW	32 ± 15% Ω at 1 kHz 1mW
Plug	3.5 mm stereo phone jack		
Cable Length	120 cm	40+55 (R) , 10+55 (L) cm	120 cm
Weight	Approx. 68 g / 2.4 oz, cable included	Approx. 15 g / 0.5 oz, cable included	Approx. 17 g / 0.6 oz, cable included
Note	Refer to actual product in the event of product description discrepancy.		

MTG-100 Other Digital Transmitters

MM-10 | MM-202P Mini-gooseneck Microphone **MU-101P | MU-53HNP | MU-23P** Headworn Microphone



MM-10

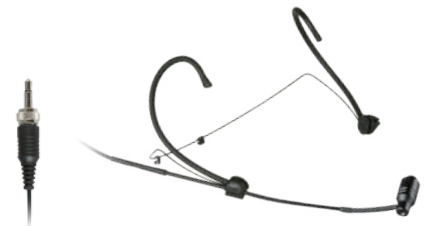


MM-202P

MU-101P



MU-53HNP



MU-23P



Specifications

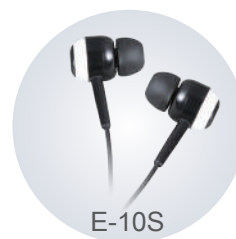
Model	MM-10	MM-202P	MU-101P	MU-53HNP	MU-23P
Name	Mini-gooseneck Microphone	Mini-gooseneck Microphone	Headworn Microphone	Headworn Microphone	Headworn Microphone
Capsule	4.5 mm Omni-directional ECM	10 mm Uni-directional ECM	10 mm Uni-directional ECM	10 mm Uni-directional ECM	3 mm Omni-directional ECM
Frequency Response	40 Hz – 20 kHz	50 Hz – 18 kHz	50 Hz – 18 kHz	50 Hz – 18 kHz	40 Hz – 20 kHz
Max. SPL	135 dB	136 dB	135 dB	136 dB	138 dB
Sensitivity	-49 dBV ± 3 dB	-46 dBV ± 3 dB	-49 dBV ± 3 dB	-46 dBV ± 3 dB	-56 dBV ± 3 dB
Output Jack	3.5 mm phone jack				
Length	110 mm / 4.3 "	136 mm / 5.4 "	150 cm / 59.1 ", cable only	150 cm / 59.1 ", cable only	150 cm / 59.1 ", cable only
Weight	Approx. 10 g / 0.4 oz	Approx. 22 g / 0.8 oz	Approx. 24 g / 0.8 oz	Approx. 24 g / 0.8 oz	Approx. 22 g / 0.8 oz

Note Refer to actual product in the event of product description discrepancy.

Receiver Accessories



E-20S



E-10S



E-5S

Transmitter Accessories



MM-10



MM-202P



MU-53HNP



MU-23P



MU-101P



MTG-100 Storage and Charger Carry Cases

MTG-100C-28

28-Slot Storage and Charger Carry Case



Features

1. The protective case provides a convenient way to charge, carry and store your entire system.
2. Quick-charge in less than 4 hours.
3. Each charging slot has separate "red" charging and "green" ready indicator.
4. Innovative "Sync" button for automatic frequency synchronization from master to all MTG-100R receivers.
5. Built-in certified 100 – 250V AC switching power supply with well-vented design.
6. Organizes 24 earphones and 2 headset microphones neatly in one case.

MTG-100C-12

12-Slot Storage and Charger Carry Case



Features

1. The protective case provides a convenient way to charge, carry and store your entire system.
2. Quick-charge in less than 4 hours.
3. Each charging slot has separate "red" charging and "green" ready indicator.
4. Innovative "Sync" button for automatic frequency synchronization from master to all MTG-100R receivers.
5. Built-in certified 100 – 250 V AC switching power supply with well-vented design.
6. Organizes 10 earphones and 2 headset microphones neatly in one case.

MTG-100C-4 4-Slot Charger



Features

1. 4-slot convenient charging for up to 4 portable receivers or transmitters.
2. Quick-charge in less than 4 hours.
3. Each charging slot has separate "red" charging and "green" ready indicator.
4. Battery charging via DC output, 12 V/0.75 A power supply.

MTG-100 Storage and Charger Carry Cases

MTG-100C-CR Charger Rack



2 pieces of MTG-100C-4 fitted with MTG-100C-CR



4 pieces of MTG-100C-4 fitted with MTG-100C-CR

Features

1. Designed for standard rack cases.
2. Accepts up to 4 pieces of MTG-100C-4 4-slot chargers.

Main Features & Specifications

Model	MTG-100C-28	MTG-100C-12	MTG-100C-4	MTG-100C-CR
Name	28-Slot Storage and Charger Carry Case	12-Slot Storage and Charger Carry Case	4-Slot Charger	Charger Rack
Charging Slot	24 Receivers + 4 Transmitters	10 Receivers + 2 Transmitters	4 Receivers/ Transmitters Combination	Up to 16 Receivers/ Transmitters Combination
Main Features	<ul style="list-style-type: none"> • Charge, Carry and Storage • Separate “red” charging and “green” ready indicator • Innovative “Sync” button for automatic frequency synchronization from master to slaves • Optional Ethernet Network Interface management software 		<ul style="list-style-type: none"> • Quick-charge in less than 4 hours • Separate “red” charging and “green” ready indicator • DC 12 V / 0.75 A power supply 	<ul style="list-style-type: none"> • Designed for standard rack cases. • Accepts up to 4 pieces of MTG-100C-4 4-slot chargers.
Charge Time	< 4 hours			
Max. Power Consumption	80 W	26 W	< 9 W	< 36 W
Dimensions (W × H × D)	530 × 190 × 330 mm / 20.9 × 7.5 × 13 "	403 × 133 × 306 mm / 15.9 × 5.2 × 12 "	112.5 × 85 × 158.5 mm / 4.4 × 3.3 × 6.2 "	482.6 × 176 × 2 mm / 19 × 6.9 × 0.1 "
Net Weight	< 10 kg / 22 lbs	< 6 kg / 13 lbs	408 g / 14.4 oz	523 g / 18.4 oz, including the screws
Note	Refer to actual product in the event of product description discrepancy.			



MIPRO Headquarters



MIPRO Electronics Co., Ltd

Headquarters : 814 Pei-Kang Road, Chiayi, 60096, Taiwan
Tel : +886.5.238.0809 Fax : +886.5.238.0803
www.mipro.com.tw mipro@mipro.com.tw